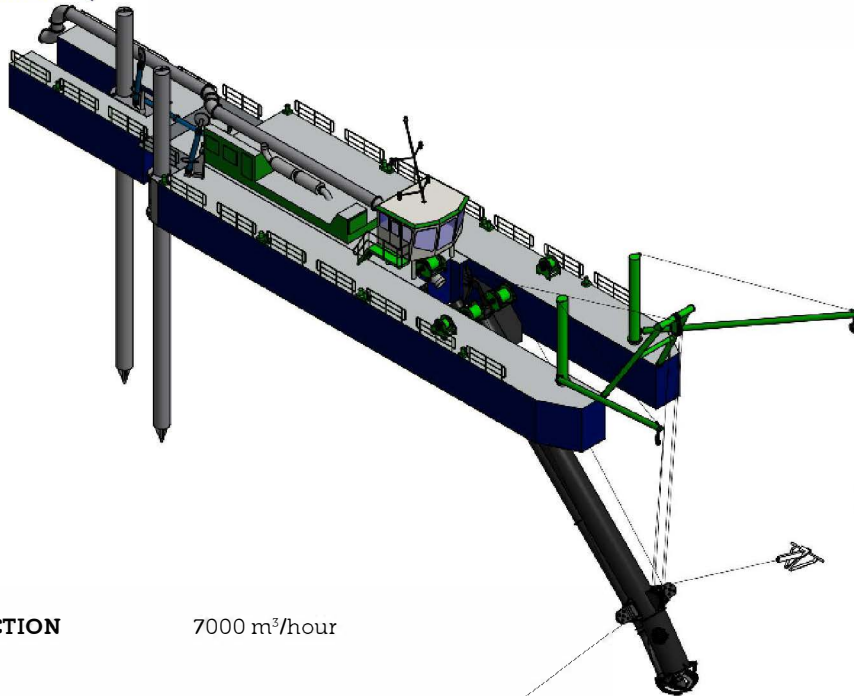




Engineered for Dredging

Leaflet 'Prime dredge 65' Inboard Pump (IBP)



Prime dredge 65
Durable & economical in the
high performance range.

PRODUCTION 7000 m³/hour

DREDGE INSTALLATION

Dredge pump drive	Caterpillar or Cummins
Power	1860kW@1800rpm
Dredge Pump	GIW LSA
Cutter	Hydraulic driven (ECTMarine/ESCO)
Cutter Power	600/450 kW
Cutter speed	variable 0..30 rpm

AUXILIARY DRIVE

(Driving electric generator, winches, cutter, spuds)

Auxiliary engine	Caterpillar or Cummins
Power	1020kW@1800rpm

ELECTRIC INSTALLATION

Voltage	24V DC and 230V/400V AC
Electric generator	57 KVA

TANK CAPACITIES

Fuel oil	58 m ³
----------	-------------------

STANDARD FEATURES

- High efficiency dredge pump
- Transportable by road
- Class approved construction
- Heavy duty design
- Low maintenance
- Modular design
- High quality components
- Operator cabin with excellent 360 visibility
- Efficient fuel consumption

MAIN DIMENSIONS

Length overall, ladder up	59	m
Length over pontoons	46	m
Breadth	10	m
Dredging depth	18	m
Suction pipe diameter	700	mm
Discharge pipe diameter	650	mm

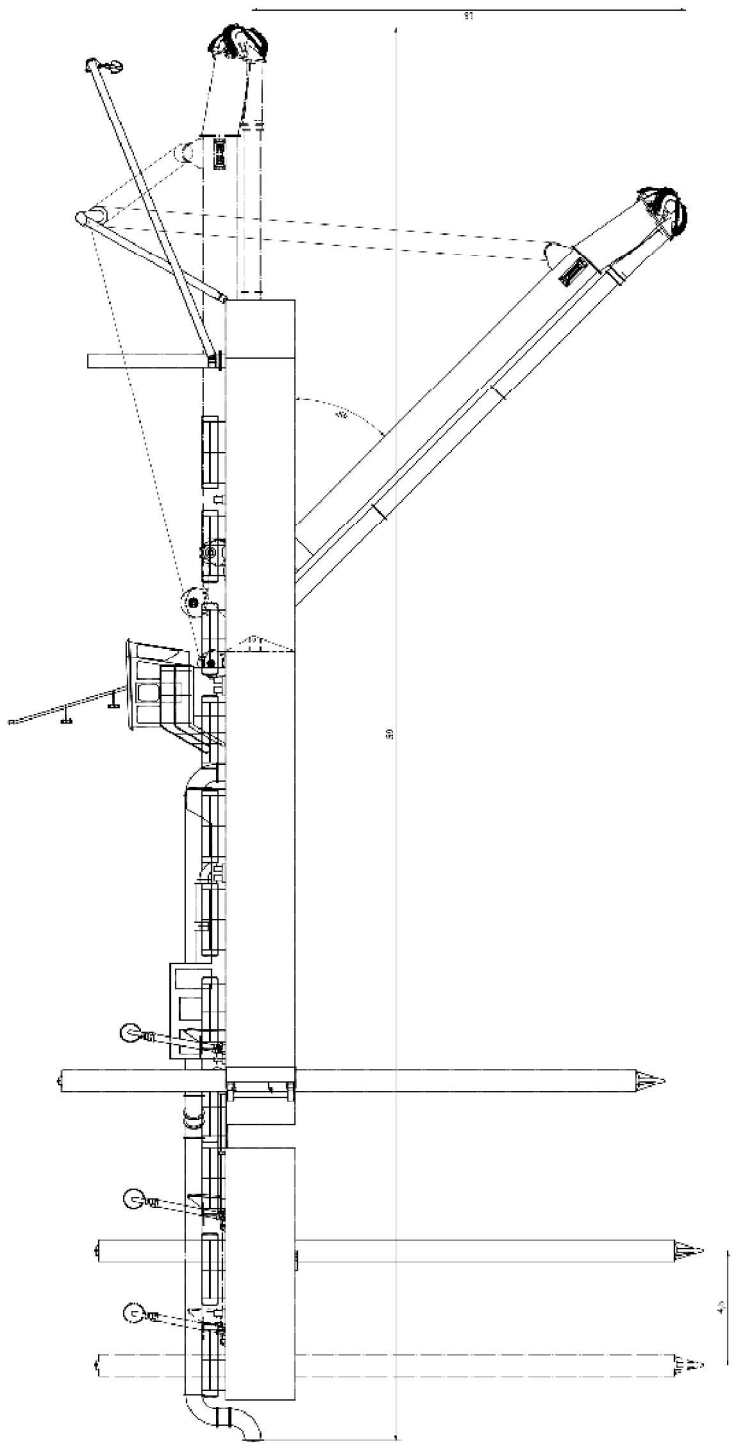
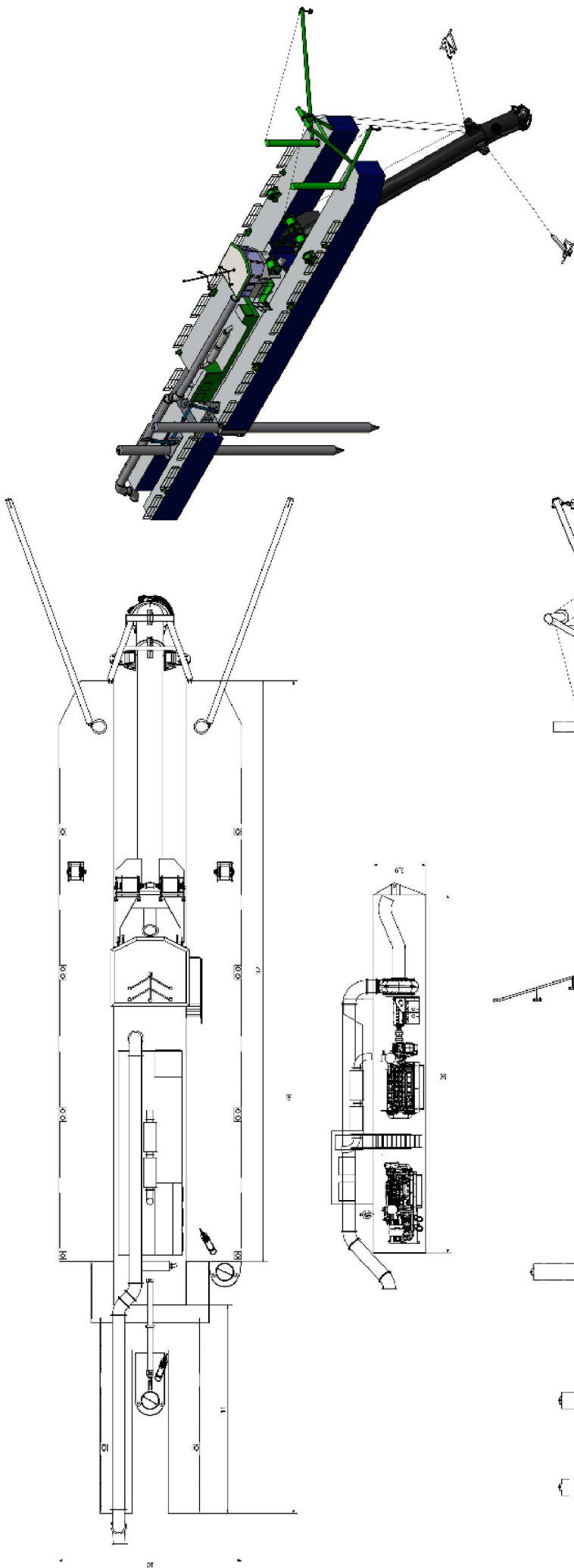
WINCHES

Ladder winch		
Line pull first layer	240	kN
Speed	0..20	m/min
Swing winches (2x)		
Wire pull first layer	240	kN
Speed	0..20	m/min
Anchors (each)	2000	kg

OPTIONAL EQUIPMENT

Hull certification	Production measurement
Anchor boom installation	Dredge monitoring system
Spud carrier system	Accommodation
Swivel bend	Deck crane
Vacuum relief valve	Increased dredging depth
Non return valve	Floating pipeline
Underwater Pump configuration	

ECT MARINE
PRIME DREDGE 65 IBP



4.5