

Workboat 2510

The WB 2510 can be used in wide range applications such as dredging support, buoy and anchor handling, towing and pushing, transport of crew and spare parts.

PROPULSION

Propulsion engines	3x Scania Di16
Total power	1656 kW
Propellers	3x 4 blade fixed pitch propellers
Bow truster	200 kW

SHIP SYSTEMS:

Fuel transfer pump	Fuel day tank
Electric bilge pump	Mechanical ventilation
Fuel water filters	Fifi pump
Hydraulic system powered by dedicated hydraulic power pack	

TANK CAPACITIES

Fuel oil	90 m ³
----------	-------------------

ELECTRIC INSTALLATION

Generator	100 Kva each
Quantity	2x

NAVIGATION AND COMMUNICATION

Chart plotter
VHF
Radar
Compass
Echosounder
GPS

ACCOMMODATION

ACCOMMODATION FOR 6x PERSONS, SEPARATE CABINS, GALLEY, MESS ROOM, ETC

CLASSIFICATION

SPECIAL SERVICE / WORKBOAT
COASTAL AREA

MAIN DIMENSIONS

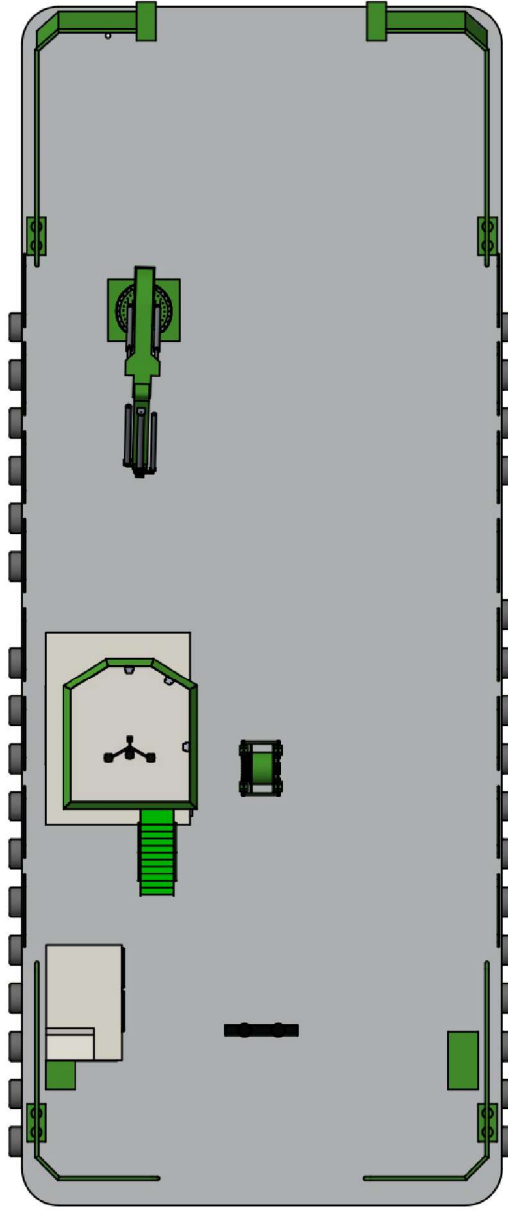
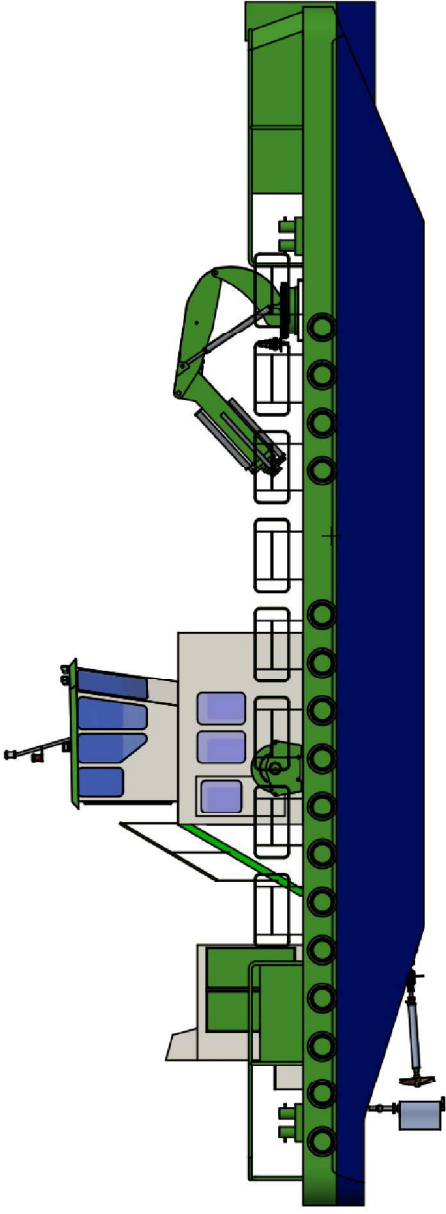
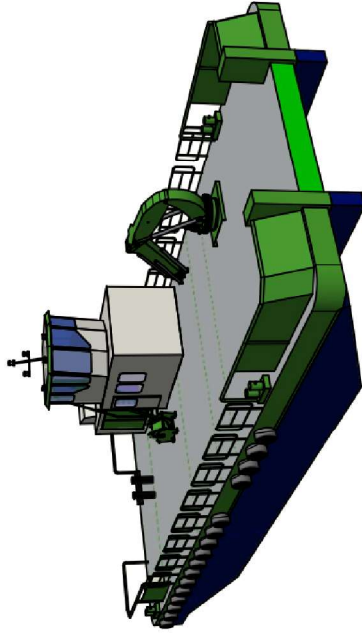
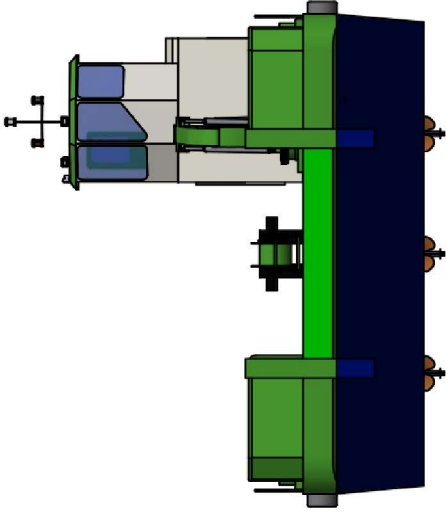
Length overall	25	m
Beam	10	m
Height	2,5	m
Draught	1,8	m

PERFORMANCE

Bollard pull	25	ton
Speed (approx)	10	knots

DECK EQUIPMENT

Deck crane
Anchor handling winch
Mooring anchor
Hydraulic anchor winch
Tugger winch
Towing bitt
Bow roller
Wooden work deck
Capstan



ECT MARINE
WORKBOAT 2510