

Core dredge 30

High performance dredging made accessible.
Dutch design & short delivery time.

PRODUCTION: 1500 m³/hour
Total installed power 300 kW

DREDGE INSTALLATION

Dredge pump drive	Caterpillar, Iveco, Volvo or Doosan
Power	230kW@2200 rpm
Dredge pump	GIW/WARMAN
Cutter	ECTMarine
Theeth system	ESCO
Cutter power	40 kW
Cutter speed	variable 0..30 rpm

AUXILIARY DRIVE

(Driving electric generator, winches, cutter, spuds)

Auxiliary engine	Caterpillar, Iveco, Volvo or Doosan
Power	70kW@2200rpm

ELECTRIC INSTALLATION

Voltage	24V DC/230V
Electric generator	24 V DC Alternator

TANK CAPACITIES

Fuel oil	6 m ³
----------	------------------

FEATURES

- High efficiency dredge pump
- Transportable by road
- Heavy duty design
- Low maintenance
- Modular design
- High quality components
- Efficient fuel consumption
- Luxury operator cabin

MAIN DIMENSIONS

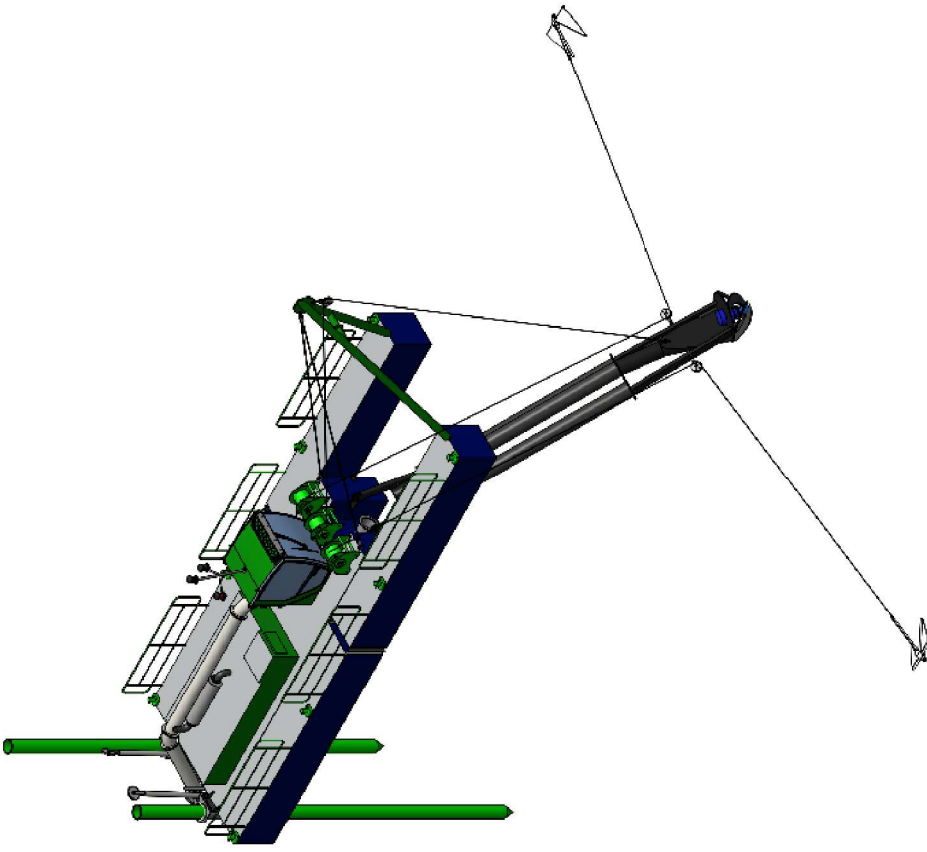
Length overall, ladder up	18	m
Length over pontoons	12	m
Breadth	4,5	m
Dredging depth	7	m
Suction pipe diameter	350	DN
Discharge pipe diameter	300	DN

WINCHES

Ladder winch		
Line pull first layer	25	kN
Speed	0..20	m/min
Swing winches (2x)		
Wire pull first layer	25	kN
Hauling speed	0..20	m/min
Anchors (each)	200	kg

OPTIONAL EQUIPMENT

- Production measurement
- Dredge monitoring tracking system
- Increased dredging depth
- Air conditioning
- Plain suction front part
- Spare part package
- Spud carrier system
- Diesel generator set
- Spud carrier system
- UWP (Underwater pump)
- Electric powered



ECT MARINE
CORE DREDGE 30

