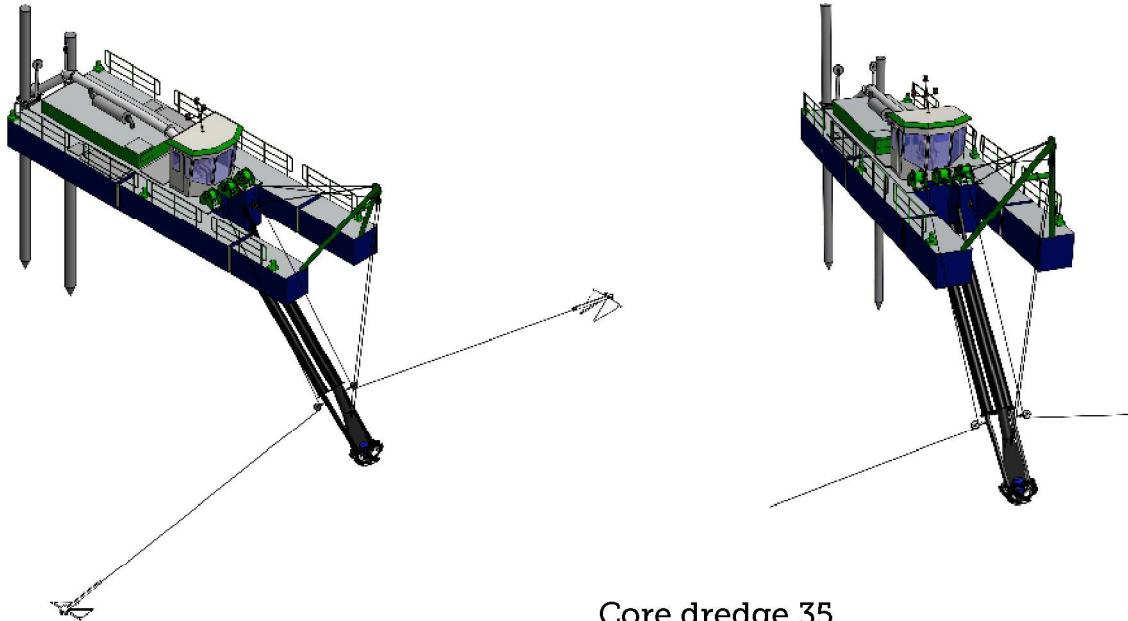




Engineered for Dredging

# Leaflet 'Core dredge 35'



## Core dredge 35

Dutch design & short delivery time:  
High performance dredging made accesible.

**PRODUCTION:** 2000 m<sup>3</sup>/hour  
Total installed power 500 kW

### DREDGE INSTALLATION

|                   |                              |
|-------------------|------------------------------|
| Dredge pump drive | Caterpillar, Volvo or Doosan |
| Power             | 441kW@1900 rpm               |
| Dredge pump       | GIW/ WARMAN                  |
| Cutter            | ECTMarine 5 blades           |
| Teeth system      | ESCO                         |
| Cutter power      | 55 kW                        |
| Cutter speed      | variable 0..30 rpm           |

### AUXILIARY DRIVE

(Driving electric generator, winches, cutter, spuds)  
Auxiliary engine Caterpillar, Doosan or Volvo  
Power 100kW@2200rpm

### ELECTRIC INSTALLATION

Voltage 24V DC/230V  
Electric generator 15 Kva

### TANK CAPACITIES

Fuel oil 9 m<sup>3</sup>

### FEATURES

- High efficiency dredge pump
- Transportable by road
- Heavy duty design
- Low maintenance
- Modular design
- High quality components
- Efficient fuel consumption
- Luxurious operator cabin

### MAIN DIMENSIONS

|                           |     |    |
|---------------------------|-----|----|
| Length overall, ladder up | 23  | m  |
| Length over pontoons      | 15  | m  |
| Breadth                   | 5   | m  |
| Dredging depth            | 8   | m  |
| Suction pipe diameter     | 400 | DN |
| Discharge pipe diameter   | 350 | DN |

### WINCHES

|                       |       |       |
|-----------------------|-------|-------|
| Ladder winch          |       |       |
| Line pull first layer | 32    | kN    |
| Speed                 | 0..20 | m/min |
| Swing winches (2x)    |       |       |
| Wire pull first layer | 32    | kN    |
| Hauling speed         | 0..20 | m/min |
| Anchors (each)        | 250   | kg    |

### OPTIONAL EQUIPMENT

- Production measurement
- Dredge monitoring tracking system
- Increased dredging depth
- Air conditioning
- Plain suction front part
- Spare part package
- Spud carrier system
- Diesel generator set
- Spud carrier system
- UWP (Underwater pump)
- Electric powered

ECT MARINE  
CORE DREDGE 35

