

Core dredge 40

High performance dredging made accesible.
Dutch design & short delivery time.

PRODUCTION: 2500 m³/hour
Total installed power 655 kW

DREDGE INSTALLATION

Dredge pump drive	Doosan, Caterpillar, Cummins
Power	530kW@1800 rpm
Dredge pump	GIW / Warman
Cutter	ECTMarine
Teeth system	ESCO
Cutter power	75 kW
Cutter speed	variable 0..30 rpm

AUXILIARY DRIVE

(Driving electric generator, winches, cutter, spuds)

Auxiliary engine	Volvo, Doosan, Caterpillar, Cummins
Power	125kW@1800rpm

ELECTRIC INSTALLATION

Voltage	24V DC/230V
Electric generator	20 Kva

TANK CAPACITIES

Fuel oil	12 m ³
----------	-------------------

FEATURES

High efficiency dredge pump	Modular design
Transportable by road	Heavy duty design
High quality components	
Efficient fuel consumption	
Luxurious operator cabin	

MAIN DIMENSIONS

Length overall, ladder up	26	m
Length over pontoons	18	m
Breadth	5	m
Dredging depth	10	m
Suction pipe diameter	450	DN
Discharge pipe diameter	400	DN

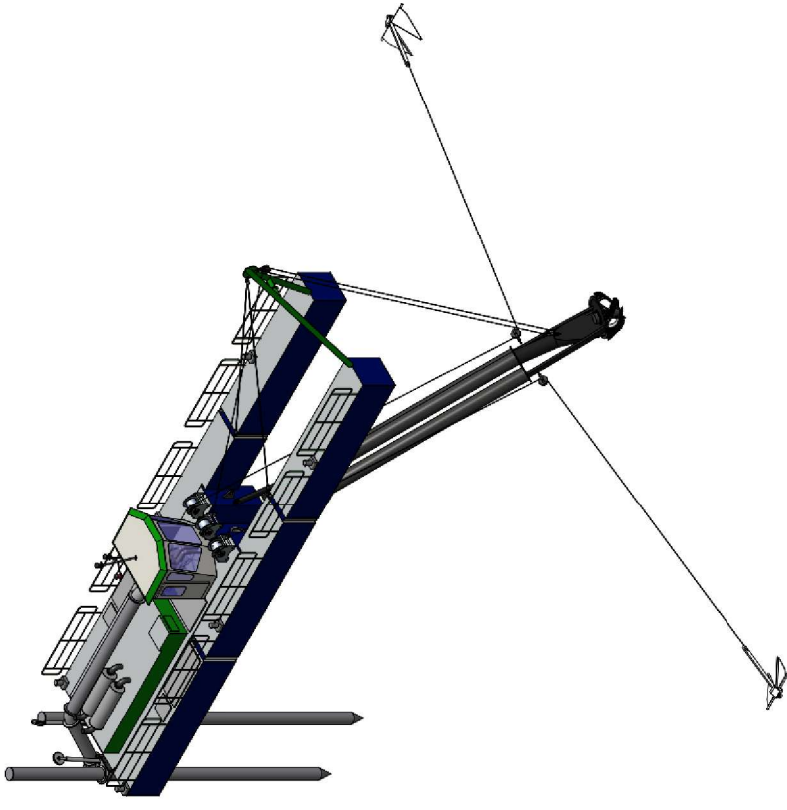
WINCHES

Ladder winch		
Line pull first layer	38	kN
Speed	0..20	m/min
Swing winches (2x)		
Wire pull first layer	38	kN
Hauling speed	0..20	m/min
Anchors (each)	400	kg

OPTIONAL EQUIPMENT

Production measurement	Dredge monitoring tracking system
Increased dredging depth	Air conditioning
Plain suction front part	Spare part package
Spud carrier system	Diesel generator set
Spud carrier system	UWP (Underwater pump)
Electric powered	





ECT MARINE
CORE DREDGE 40

