



Information Leaflet Quick Mining Dredge



Quick Mining Dredge

A flexible and versatile dredger for dredging in remote and confined spaces.

PRODUCTION (MIXTURE): 600 m³/hour
PRODUCTION (SOLID): 150 m³/hour

Total installed power 130 kW

DREDGE INSTALLATION

Dredge pump drive Doosan
 Power 130 kW
 Dredge pump Slurry Pro 8x6
 Jet water/screening pump 22 kW

TANK CAPACITIES

Fuel oil 500 Liters

GENERAL DESCRIPTION

The Quick Mining Dredge is a plain suction type dredger designed to be transportable and easy in maintenance and repair. The dredger can be manned by only a single person and is suited to work in small and secluded areas. The jet system to loosen the soil before it gets sucked up through the suction head. The dredge pump is a high efficiency single walled abrasion resistant centrifugal pump. The pump house and impeller are made from high chrome material. The vessel is suited to mine in ponds canals, dam areas and slow moving rivers.

STANDARD FEATURES

- Floating screening plant
- High efficiency dredge pump
- Transportable by road
- Transportable in 40ft standard container
- Heavy duty design
- Low maintenance
- Modular design
- High quality components
- "unsinkable" pontoon design

MAIN DIMENSIONS

Length overall, ladder up	19	m
Length over pontoons	11,5	m
Breadth	2,4	m
Dredging depth	10	m
(optional)	(15	m)
Suction pipe diameter	200	DN
Discharge pipe diameter	150	DN

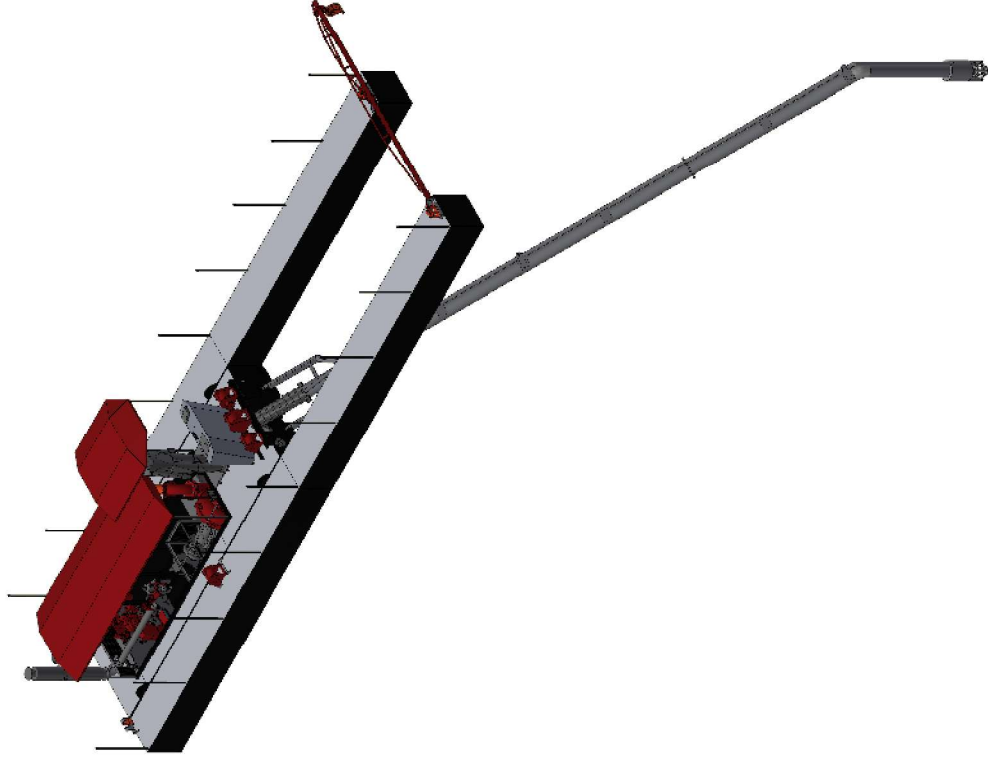
WINCHES

Ladder winch		
Line pull first layer	12	kN
Mooring winches (3x)		
Wire pull first layer	9	kN
Hauling speed	0..20	m/min

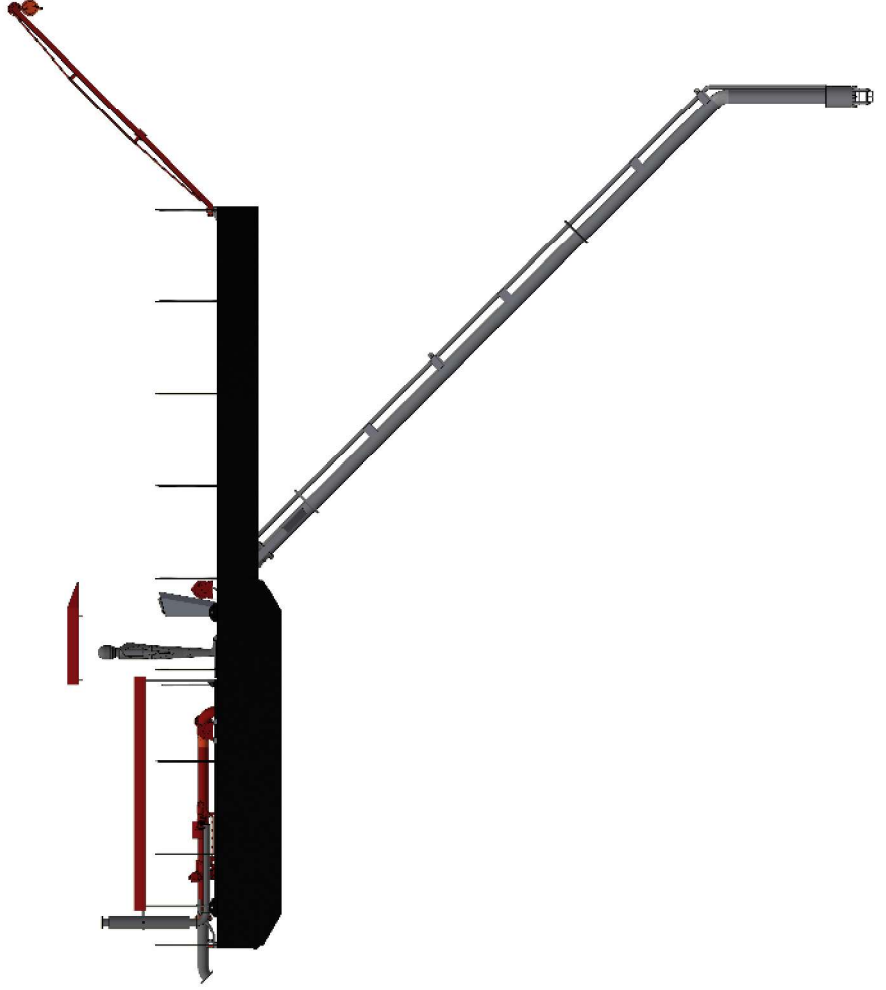
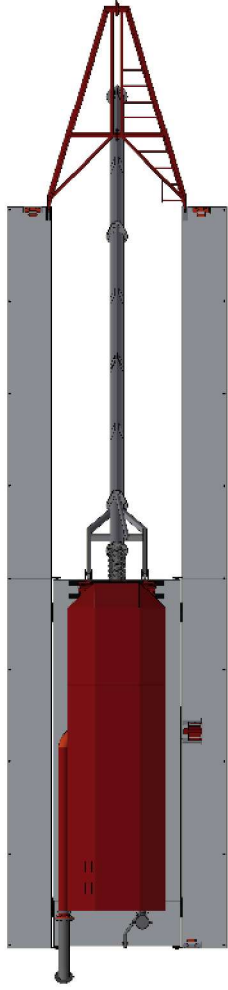
OPTIONAL EQUIPMENT

- Auger head
- Cutter head
- Installation and commissioning
- Floating pipeline
- Training
- Propulsion
- operation cabin
- Fully electric





ECT MARINE
QUICK MINING DREDGE





Leaflet Quick Mining Dredge

Pictures

